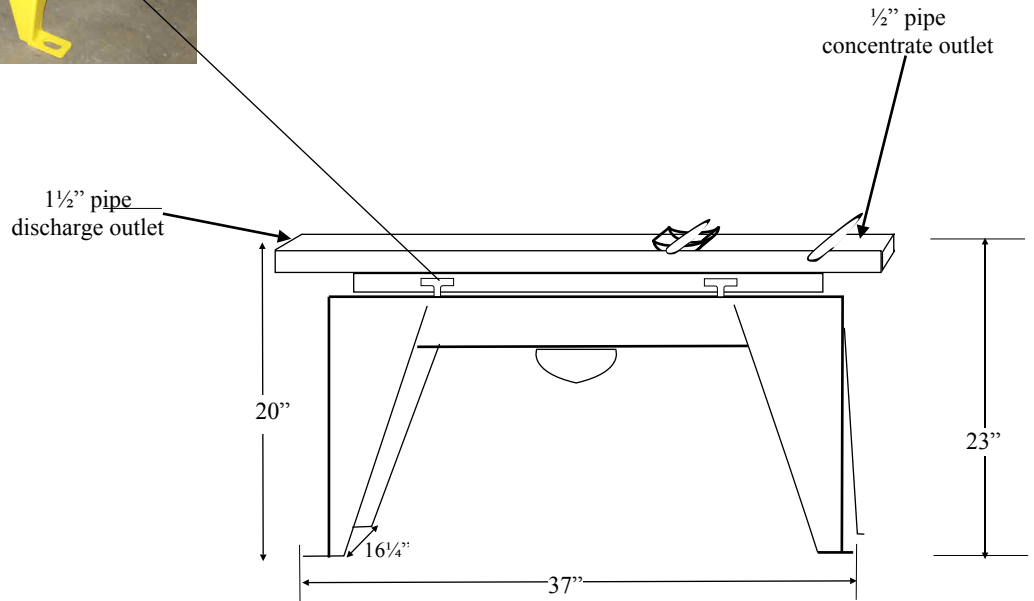


12 Volt Lab/Field 2008 Model M5 Micron Mill Wave Table



37482 Ruben Lane
Sandy OR 97055



Production Rate	Water requirements	Power 12 volt	Base foot print	Length table top	Width table top	Height	Weight	Foundation
For testing-hand feed 5 gallon bucket (9 liters) per hour 80-99% recovery 20 mesh - 5 microns Separates by specific gravity	2-5 GPM (10-25 liters) can be recycled Supplied with 2 adjustable spray bars, flex hoses & pipe unit that attaches to standard 1/2" hose lines	12V battery or battery charger (not included)	37 x 16 1/4" Holes on center 34 1/2" x 14 1/2" for securing to concrete floor	43" Table top is removable for transporting by unbolting the motor mount frame	17"	23" Including feed trough 20" Working height (ground to table top)	130 lbs	No permanent foundation needed, although mounting holes provided for securing to bench