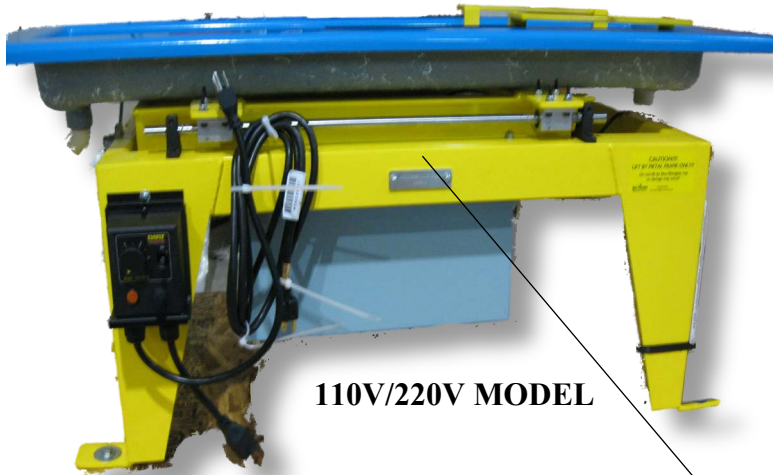


# Lab (110V/220V) or Field (12V battery run) Model M5 Wave Table 2016



**110V/220V MODEL**

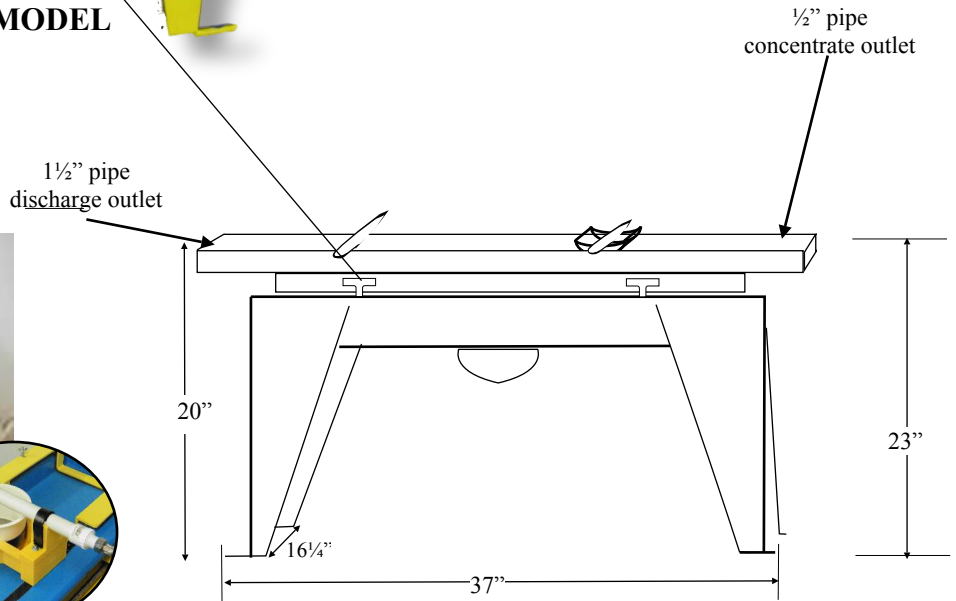
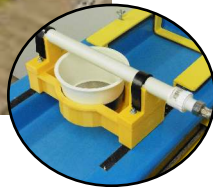
**Prices:**  
 12V \$3975.00  
 110V \$4148.00  
 220V \$4484.00



Tel: 1 503 826 9330  
[www.actionmining.com](http://www.actionmining.com)



**Shown with new riffle bar**



Production Rate	Water requirements	Power 12 volt (Field work) Or 110V 60C 220V 60C 220V 50C (Lab work)	Base foot print	Length table top	Width table top	Height	Weight	Founda-tion
For testing-hand feed 5 gallon bucket (9 liters) per hour  80-99% recovery 20 mesh - 5 microns  Separates by specific gravity	2-5 GPM (10-25 liters) can be recycled  Supplied with 2 adjustable spray bars, flex hoses & pipe unit that attaches to standard 1/2" hose lines	12V battery or battery charger (not included) OR 110V 60C Motor with Variable speed control or 220V 50/60C Motor with Variable speed Control	37 x 16 1/4"  Holes on center 34 1/2" x 14 1/2" for securing to concrete floor	43"  Table top is removable for transporting by unbolting the motor mount frame	17"	23" Including feed trough  20" Working height (ground to table top)	130 lbs	No permanent foundation needed, although mounting holes provided for securing to bench