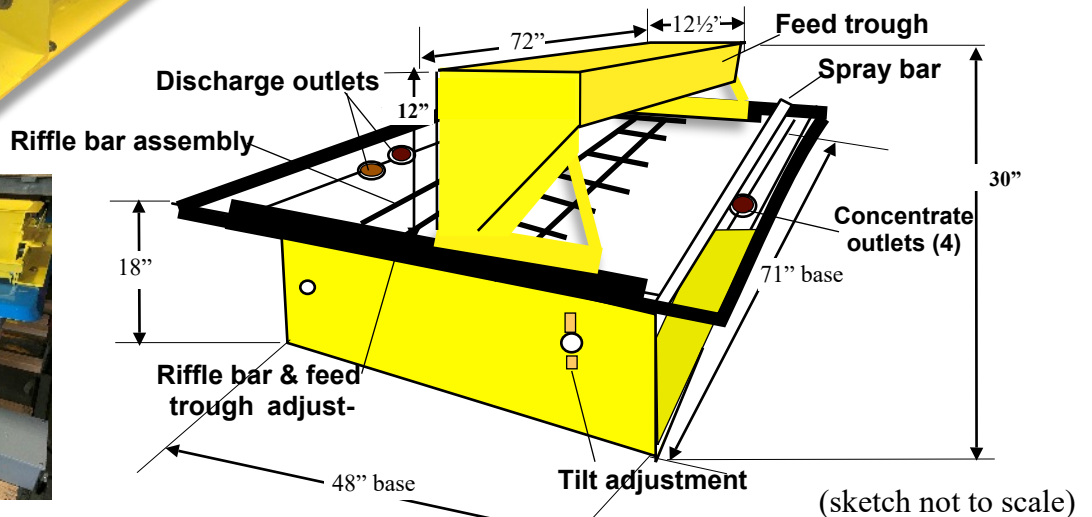
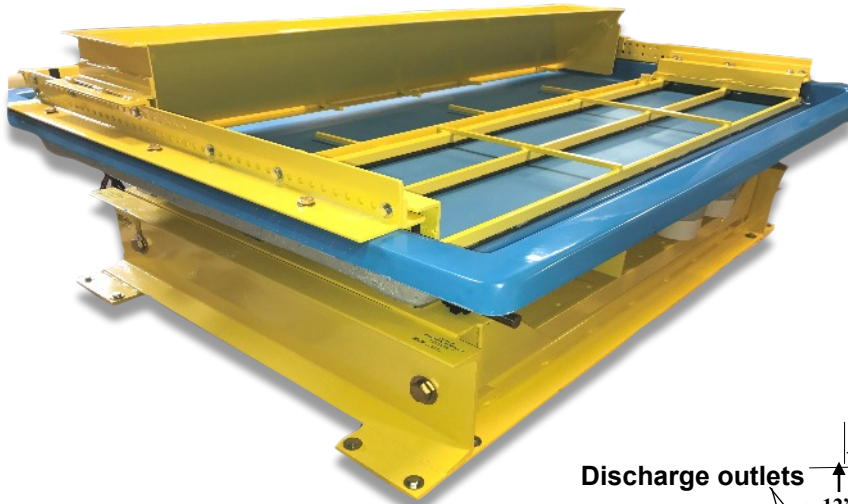


M10 PRODUCTION MODEL WAVE TABLE

Base price \$58,800.00

Tel: 1 503 826 9330
www.actionmining.com

- Steel frame & adjustable feed trough
- Sturdy fiberglass top
- Electric drive system with emergency stop switch & wall mounted variable speed control
- Adjustable riffle bar, factory set 10 to 1 concentration



Production rate	Water requirement	Power 240/460V 50/60 C	Length Base	Width Base	Length Table top	Width Table top	Height	Weight
3-8 TPH, average depending on material run Examples: Copper/lead ore about 3tph; Black sands about 4 tph; Simple quartz ore about 8 tph	5-20 gpm, (can be recycled); water feed (either side hookup) minimum 3/4" pipe 30 PSI; Discharge pipe 6" from bottom of pipe to ground, on center; Concentrate pipe 12" from bottom of pipe to ground, on center	Totally enclosed washdown motor, IP55, Insulation Class F, NEMA C, UL CSA, Stainless steel shaft, 3 HP, Single/3 phase, 50/60 C, 208/460 VAC, 8.6/4.3 amps, 174-1740 RPM <u>Variable Speed Control</u> UL, CSA, CE, NEMA 4X, Adjustable acceleration 0.1-180 seconds, deceleration 0.3-180 seconds, digital display	48"	71"	61"	80"	30", including feed trough, working height 18" (ground to table top)	2000 lbs (909 KG)