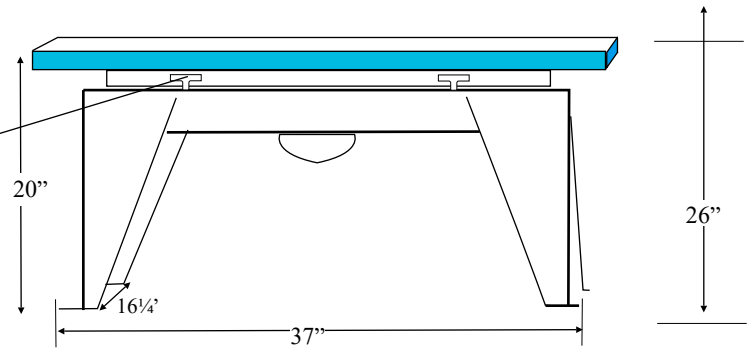
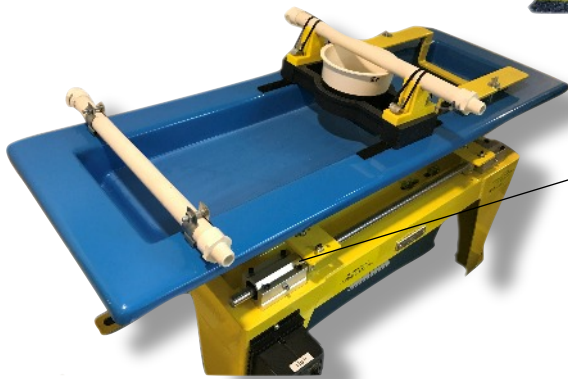




Shown with new riffle bar & feed trough



Production Rate	Water requirements	Power 110/220V 50/60C (Lab work) 220CV 50/60C (Lab work)	Base foot print	Length table top	Width table top	Height	Weight	Foundation
For testing-hand feed 5 gallon bucket (9 liters) per hour 80-99% recovery 20 mesh to 5 microns Separates by specific Gravity	2-5 GPM (10-25 liters) can be recycled Supplied with 2 adjustable spray bars, flex hoses & pipe unit that attaches to standard 1/2" hose lines	110/220V 50/60C 1/4HP Motor, 1700 RPM, 3.4/1.7 amps, UL, CSA, Class B, VS control 220CV 50/60C 1/4HP Motor, 1655 RPM, 1.2 amps, IP55, UL, CSA, CE, Class F, NEMA 4X VS control	37 x 16 1/4" Holes on center 34 1/2" x 14 1/2" for securing to concrete floor	43" Table top is removable for transporting by unbolting the motor mount frame	17"	26" Including feed trough 20" Working height (ground to table top)	130 lbs	No permanent foundation needed, although mounting holes provided for securing to bench